

CONSUMER PRODUCT

EIPL2006 V260000003

| BRAND | MODEL | PnC |
|-----------|-----------|-----------|
| MCCULLOCH | M 4546SDX | 962000022 |
| PARTNER | P 4546SDX | 962000038 |

Spare parts

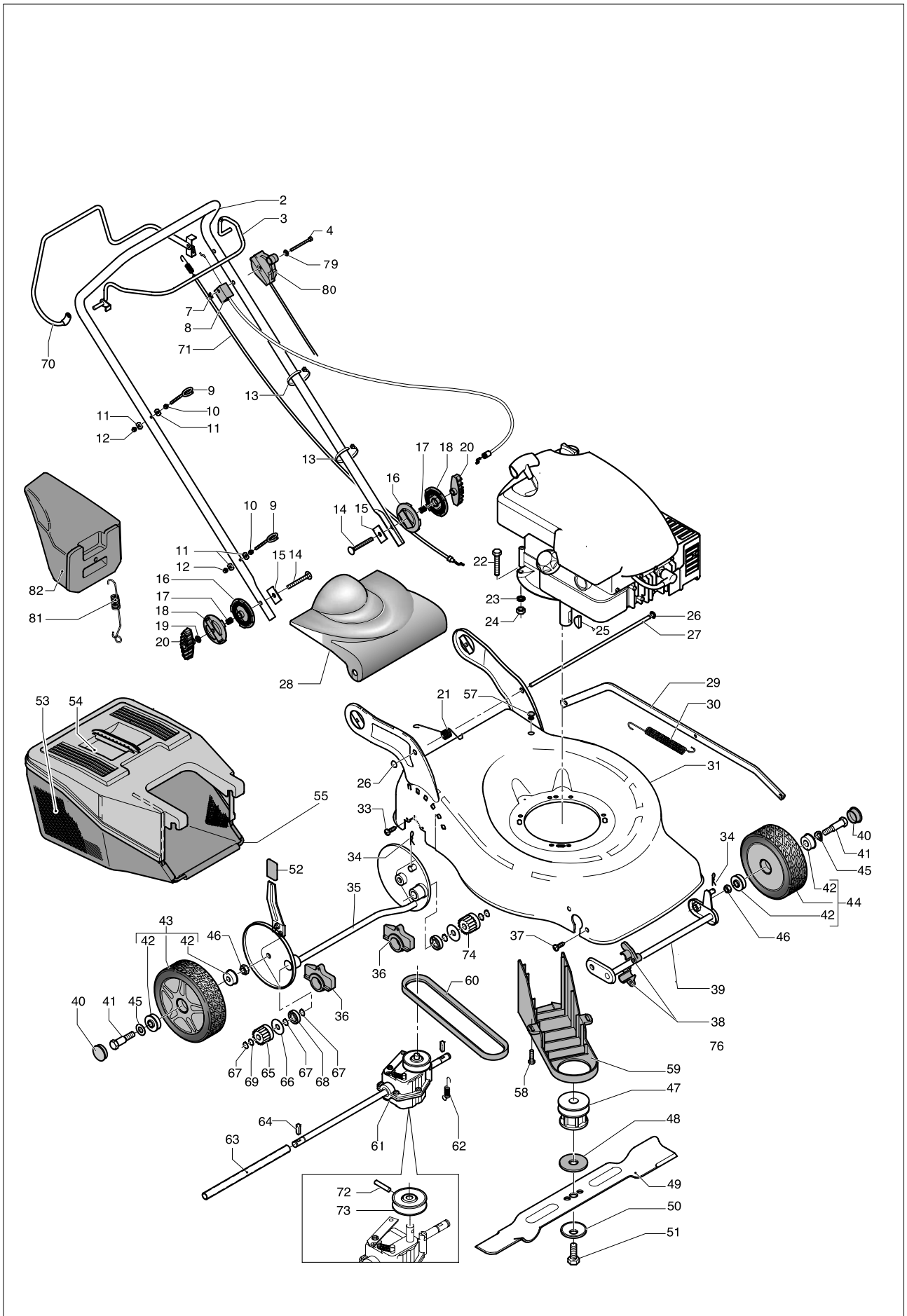
Ersatzteile

Pièces détachées

Reserve onderdelen

Repuestos

Reservdelar



| Pos. | PN ELX | MEP P/n° | DESCRIPTION | Q.ty | Pos. | PN ELX | MEP P/n° | DESCRIPTION | Q.ty |
|------|-----------|-----------|--------------|------|------|-----------|----------|------------------|------|
| 2 | 531211438 | 10172933 | HANDLE | 1 | 42 | 531205214 | 10121900 | BALL-BEARING | 4 |
| 3 | 531211452 | 10135891 | BRAKE HANDLE | 1 | 43 | 531210613 | 9122041 | WHEEL | 2 |
| 4 | 531206212 | 10155420 | SCREW | 1 | 44 | 531210703 | 9175111 | WHEEL | 2 |
| 7 | 531205213 | 10121890 | NUT | 1 | 45 | 531206644 | 10275100 | WASHER | 4 |
| 8 | 531205191 | 10121610 | BRAKE CABLE | 1 | 46 | 531207978 | 20101700 | NUT | 4 |
| 9 | 531205169 | 10121470 | CABLE HOOK | 2 | 47 | 531205048 | 10120200 | BLADE ADAPTER | 1 |
| 10 | 531204961 | 10115900 | WASHER | 4 | 48 | 531207243 | 10531700 | WASHER | 1 |
| 11 | 531207165 | 10501200 | NUT | 2 | 49 | 531211652 | 10173170 | BLADE | 1 |
| 12 | 531208491 | 20281800 | NUT | 2 | 50 | 531207237 | 10530900 | WASHER | 1 |
| 13 | 531205581 | 10135600 | CLAMP | 2 | 51 | 531208008 | 20120580 | SCREW | 1 |
| 14 | 531211480 | 10173060 | SCREW | 2 | 52 | 531207986 | 20107203 | SHEATING | 1 |
| 15 | 531211581 | 10173103 | PLATE | 2 | 53 | 531208296 | 20146113 | GRASS CATC.UPPER | 1 |
| 16 | 531211473 | 10173003 | DISK | 2 | 54 | 531208306 | 20146303 | SAC | 1 |
| 17 | 531211476 | 10173033 | SPRING | 2 | 55 | 531208300 | 20146123 | FRAME | 1 |
| 18 | 531211474 | 10173013 | DISK | 2 | 57 | 531205557 | 10135413 | CABLE LOCK | 1 |
| 19 | 531204922 | 10114200 | WASHER | 2 | 58 | 531207856 | 10831800 | SCREW | 3 |
| 20 | 531205840 | 10141253 | KNOP | 2 | 59 | 531205047 | 10120183 | BELT HOUSING | 1 |
| 21 | 531211840 | 10173270 | SPRING | 1 | 60 | 531207280 | 10548500 | BELT | 1 |
| 22 | 531205196 | 10121700 | SCREW | 3 | 61 | 531212936 | 9173710 | GEAR-BOX | 1 |
| 23 | 531207981 | 20106200 | WASHER | 6 | 62 | 531206182 | 10155210 | SPRING | 1 |
| 24 | 531207982 | 20106300 | NUT | 3 | 63 | 531207697 | 10766503 | SPACER TUBE | 1 |
| 25 | 531204907 | 10100900 | KEY | 1 | 64 | 531205108 | 10121160 | KEY | 2 |
| 26 | 531210824 | 10175400 | WASHER | 2 | 65 | 531205045 | 10120160 | PINION | 1 |
| 27 | 531211441 | 10172980 | TIE ROD | 1 | 66 | 531207847 | 10831200 | WASHER | 2 |
| 28 | 531212646 | 10173511 | DEFLECTOR | 1 | 67 | 531208772 | 20655800 | SEEGER | 6 |
| 29 | 531205069 | 10120653 | AXLE | 1 | 68 | 531208778 | 20657600 | BALL-BEARING | 2 |
| 30 | 531205056 | 10120460 | SPRING | 1 | 69 | 531208859 | 20761300 | WASHER | 2 |
| 31 | 531212681 | 1018503ZD | DECK | 1 | 70 | 531205616 | 10135883 | CLUTCH HANDLE | 1 |
| 33 | 531208216 | 20135720 | SCREW | 2 | 71 | 531211847 | 10173110 | CABLE | 1 |
| 34 | 531206653 | 10281400 | COTTER PIN | 2 | 74 | 531205046 | 10120170 | PINION | 1 |
| 35 | 531212578 | 1012109ZC | AXLE | 1 | 75 | 531211966 | 10155560 | SPACER | 2 |
| 36 | 531205944 | 10146093 | SUPPORT | 2 | 76 | 531206031 | 10146690 | SAFETY HOUSING | 1 |
| 37 | 531208844 | 20734900 | SCREW | 4 | 79 | 531206629 | 10244700 | WASHER | 1 |
| 38 | 531205057 | 10120473 | SUPPORT | 4 | 80 | 531206210 | 10155360 | ACCELERATOR | 1 |
| 39 | 531212587 | 1012029ZC | AXLE | 1 | 81 | 531211184 | 10172820 | SPRING | 1 |
| 40 | 531210538 | 10114801 | PLUG | 4 | 82 | 531210617 | 10172700 | MULCHING PLUG | 1 |
| 41 | 531205042 | 10120090 | SCREW | 4 | | | | | |